



PROJECT		REF		REV	ITEM CODE	
LOCATION		DATE			PAGE	

SANITARY WARE SPECIFICATION SHEET

<p>Item Descriptions</p> <p>Dimensions</p> <p>Model</p> <p>Material/ Color</p> <p>Manufacturer</p> <p>Supplier</p> <p>Contact Tel/Fax</p> <p>E-mail</p> <p>Website</p>	<p>McAlpine (UK) Shower traps with top access 1.5" diameter, dip tube removable from top to facilitate cleaning; complied with BSEN274-1:2002 & BSEN274-2:2002; test report J18639</p> <p>1.5" dia x H154 mm</p> <p>STW12-R</p> <p>Plastic/ White</p> <p>McAlpine & Co. Ltd. (UK)</p> <p>Acme Sanitary Ware Co. Ltd Mr. Eric Wong/ Mr. Don Yuen</p> <p>(852) 2388-7171 / (852) 2710-8012 acme@acmesanitary.com.hk www.acmesanitary.com.hk</p>	<p style="text-align: center;">Illustration/ Drawing</p> <div style="text-align: center;"> </div> <div style="text-align: center; margin-top: 20px;"> </div>
---	---	--

Note:



NUTEK SYSTEMS, LTD.

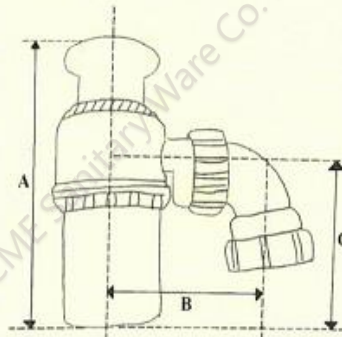
Unit B, 13/F, Block A, Universal Ind. Ctr., 23-25 Shan Mei Street, Fo Tan, Shatin, N.T., Hong Kong.
Tel: (852) 2605 5736 Fax: (852) 2692 0798 E-mail: nutek@nuteksystems.com

TITLE : Testing of Pipe Fitting
OUR REFERENCE NO. : J18639
DESCRIPTION OF SAMPLE : 40mm Top access resealing shower trap
SAMPLE SUBMITTED BY :

BRAND : McAlpine
MODEL : STW12
METHOD OF TEST : BSEN274-1: 2002 and BSEN274-2: 2002
PERIOD OF TESTS : 13th Feb., 2015 to 16th Mar., 2015

RESULTS: - (apply only to the sample tested)

1. DIMENSIONS (BSEN274-1, Cl.4.5 and Table 2)



	Sample	BSEN Requirement
Nominal size (mm)	40	/
Depth of water seal (mm)	82.0	≥ 75
Length of useful thread of the water inlet (mm)	24.0	8 to 11
Length	A (mm)	152.0
	B (mm)	107.0
	C (mm)	104.0

Note : The female threads at the water inlet was found complying with ISO228-1 when tested by standard thread plug gauge.

2. FLOW RATE TEST (BSEN274-1, Cl.4.6 and BSEN274-2, Cl.5)

		Water flowrate (l/s)	Remark
Sample		0.83	Pass
BSEN Requirement	for trap used in wash basin and bidet	≥ 0.6	/
	for trap used in kitchen sink	≥ 0.7	/

/.....P.2



OUR REFERENCE NO. J18639 (P.2)

3. LEAKTIGHTNESS TEST (BSEN274-1, Cl.4.7.2, BSEN274-2, Cl.6.2)

	Test pressure (bar)	Duration (minute)	Remark
Sample	0.1	5	Pass
BSEN Requirement	0.1	5	/

Note : No leakage was detected during the above test.

4. TEMPERATURE CYCLING TEST (BSEN274-1, Cl.4.3 and BSEN274-2, Cl.3)

4.1. During temperature cycling

	Hot water temperature (°C)	Cold water temperature (°C)	Water flow rate (l/s)	No. of cycles	Observation	Remark
Sample	93 - 94	18 - 22	0.5	5	The sample showed no sign of leakage or damage during the test	Pass
BSEN Requirement	95 ±2	20 ±8	0.5	5	/	/

4.2. Leaktightness test immediately after temperature cycling

	Test pressure (bar)	Duration (minute)	Remark
Sample	0.1	5	Pass
BSEN Requirement	0.1	5	/

Note : No leakage was detected during the above test.

5. SUMMARY OF RESULTS (apply only to the sample tested)

- Dimensions -- As shown in section 1
- Flow Rate Test -- Satisfactory
- Leaktightness Test -- Satisfactory
- Temperature Cycling Test -- Satisfactory



Date : 10 APR 2015
Nutek Systems is a testing agency, approved by the Water Authority and Government Supplies Department, for testing water supply fittings.

Authorized signature : [Signature]
WONG K.S., Sunny
(Director)